

GB Instruction for use

POWERTEX

Lashing Chain PLC



User Manual

POWERTEX Lashing Chain

Instruction for use (GB) (Original instruction)



WARNING

- Failure to follow the regulations of this instruction for use may cause serious consequences as risk of injury.
- Read and understand these instructions before use.

Information for use and maintenance

1 When selecting and specifying lashing chains, consideration shall be given to the required lashing capacity, taking into account the mode of use and the nature of the load to be secured. The size, shape and weight of the load, together with the intended method of use (see EN 12195-1), transport environment and the nature of the load will affect the correct selection.

2 The selected lashing chains shall both be strong enough and of the correct length for the mode of use. Plan the fitting and removal operations before starting a journey. Remove lifting equipment before lashing the load. Keep in mind that during longer journeys parts of the load may have to be unloaded. Calculate the number of lashing chains according to EN 12195-1.

3 Due to different behaviour and elongation under load conditions, different lashing equipment (e.g. lashing chain, web lashings) shall not be used to lash the same load. Consideration shall also be given to ancillary components and lashing devices in the lashing, which shall be compatible with the lashing chain. Usage of equal combined lashings is admissible.

4 Release of the lashing: It shall be ensured that the stability of the load is independent of the lashing chain and that the release of the lashing chain shall not cause the load to fall off the vehicle, thus endangering the personnel. If necessary, attach lifting equipment for further transport to the load before releasing the tensioning device in order to prevent accidental falling.

5 Before attempting unloading the lashing chains have to be released such that the load is unhampered.

6 During loading and lashing, unlash and unloading attention has to be paid to low overhead power lines.

7 Lashing chains shall be taken out of service or returned to the manufacturer for repair if they show any signs of damage. The following are considered to be signs of damage:

- a) for chains: superficial fissures, elongation exceeding 3%, wear exceeding 10% of the nominal diameter, visible deformations.
- b) for connecting components and tensioning devices: deformations, splits, pronounced signs of wear, signs of corrosion.

8 Care should be taken that the lashing chain is not damaged by sharp edges of the load on which it is used.

9 Only legibly marked and labelled lashing chains shall be used.

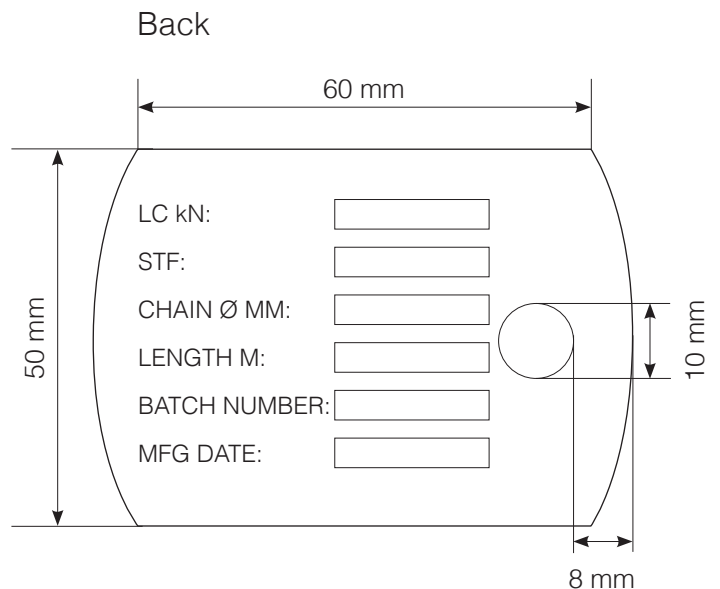
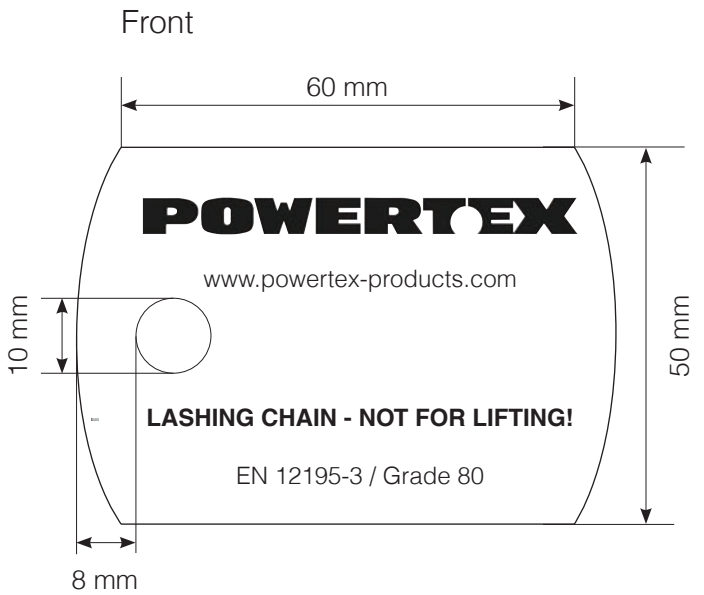
10 Lashing chains shall not be overloaded: Only the maximum hand force of 500 N shall be applied. Mechanical aids such as levers, bars etc. are not to be used, unless they are part of the tensioning device.

11 Lashing chains shall never be used when knotted or connected with screws.

12 Damage to tags shall be prevented by keeping them away from the corners of the load and, if possible, from the load.

13 The lashing chain and the edges of the load shall be protected against abrasion and damage by using protective sleeves and/or corner protectors.

14 Particular information on the individual type of lashing chain or lashing chain equipment and its intended use shall be given by the manufacturer.



End of use/Disposal

Powertex lashing chains shall always be sorted/scrapped as general steel scrap.

The supplier will assist you with the disposal, if required.

Disclaimer

We reserve the right to modify product design, materials, specifications or instructions without prior notice and without obligation to others.

If the product is modified in any way, or if it is combined with a non-compatible product/component, we take no responsibility for the consequences in regard to the safety of the product

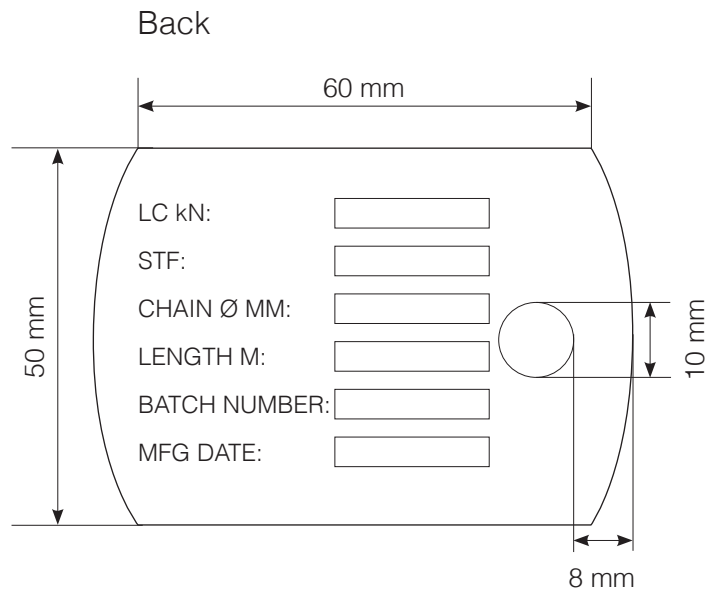
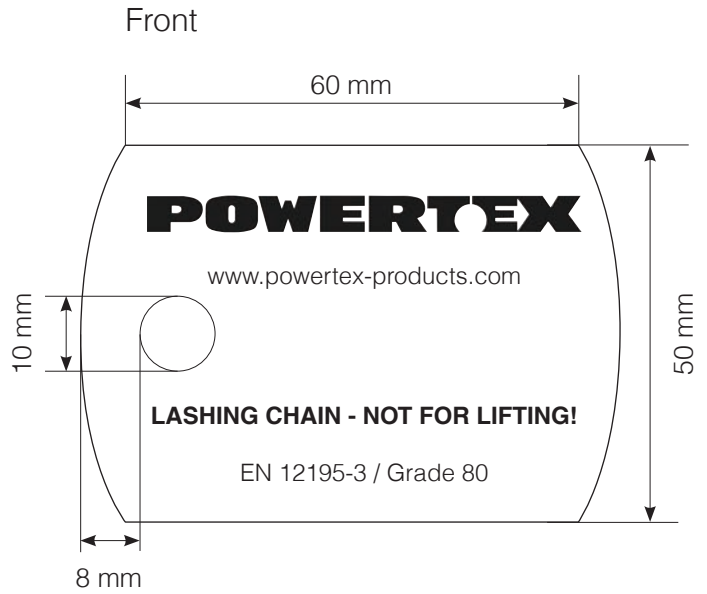
CertMax+

The CertMax+ system is a unique leading edge certification management system which is ideal for managing a single asset or large equipment portfolio across multiple sites. Designed by the Lifting Solutions Group, to deliver optimum asset integrity, quality assurance and traceability, the system also improves safety and risk management levels.



Marking

Marked according to standard: EN 12195-3



User Manuals

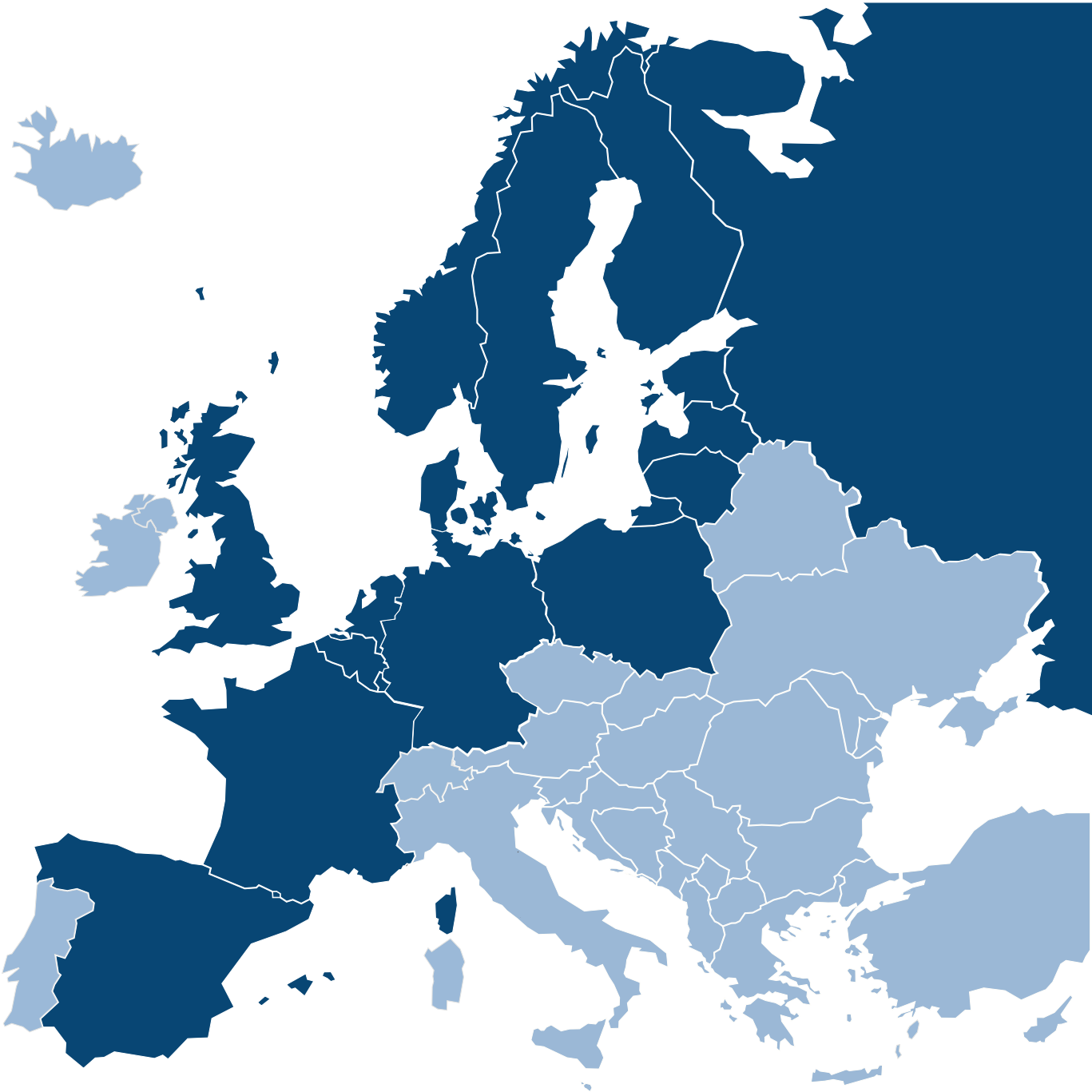
You can always find the valid and updated User Manuals on the web. The manual is updated continuously and valid only in the latest version.

NB! The English version is the Original instruction.

The manual is available as a download under the following link:
www.powertex-products.com/manuals



POWERTEX



www.powertex-products.com