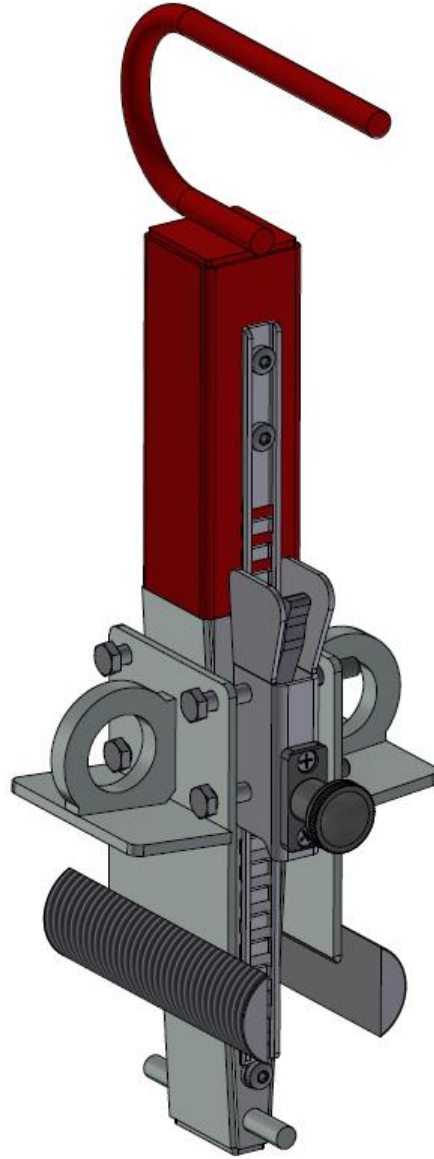


# CERTEX



## **Instruction manual** **Fall Protection Device for HDF floor structure** **825300100060**

English translation of original instruction manual in Swedish, Edition 8, 2024-10-16

## 1. General

### Information:

Work involving lifting devices, lifting equipment, and fall protection must be planned, organized, and carried out in a way that prevents hazardous situations.

Before using the equipment, the user manual should be read thoroughly, as it contains important information on how to operate the equipment safely and correctly. The product may only be used by those who are familiar with the work and possess both theoretical and practical knowledge for the safe use of the fall protection attachment. By following these instructions, risks and injuries can be avoided.

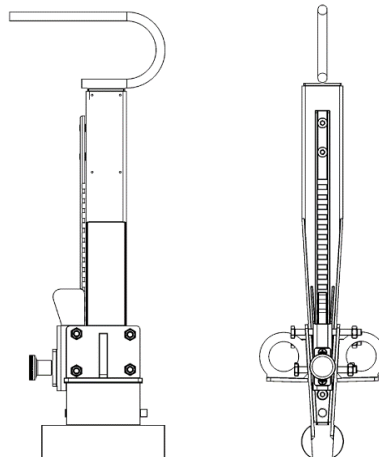
In addition to the user manual, we also refer to applicable regulations and workplace rules, such as those found in the Swedish Work Environment Authority's regulatory collection.

For the user's safety, it is essential that if this product is sold outside the original destination country, the reseller must provide user manuals, maintenance instructions, instructions for periodic inspection, and repair instructions in the language of the country where the product will be used. Users should also be aware that other regulations and standards may apply in countries outside Sweden, and it is the responsibility of both the reseller and the user to ensure that all applicable laws and regulations are followed in the country where the product is used.

### Description:

This product is intended to be used as an anchor point for personal fall protection for ONE SINGLE person during the installation of HDF panels. Installation takes place along the longitudinal joint between two panels, meaning it can only be used after two panels have been installed. For anchoring personal fall protection during the installation of the first and second panels, alternative anchoring must be used.

The device consists of four main parts assembled with four screws. The two outer/lower parts are called locking plates. Between the locking plates, there is an additional locking mechanism attached to two of the four screws. The central part with a handle is called the locking wedge (see figure below). Refer to the declaration of conformity on page 4 of this user manual.



## 2. SAFETY



### Actions after fall

When a fall has occurred in which the device has been used, the device must be inspected by the supplier.



Restriction on use in specific environments (e.g., explosive atmospheres, acids, bases).



Use the fall protection only for its intended purpose. The fall protection anchor is solely intended to be used as an anchor point for personal fall protection equipment and must not be used as a lifting tool or for carrying loads.



Use the product only within the specified temperature range: -20° to 100°.



The product may only be used by individuals who are well-acquainted with the work and possess both theoretical and practical knowledge for the safe use of the fall protection device.



*Ensure that only CE-marked fall protection components are used with the product.*



*Failure to follow the instructions in this manual may result in serious consequences, including the risk of injury.*

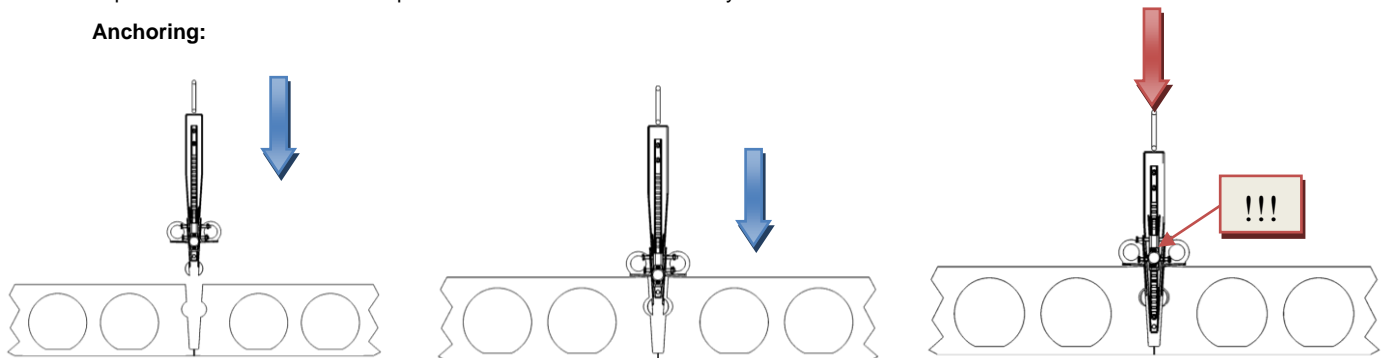
### 3. HANDLING

#### Preparations

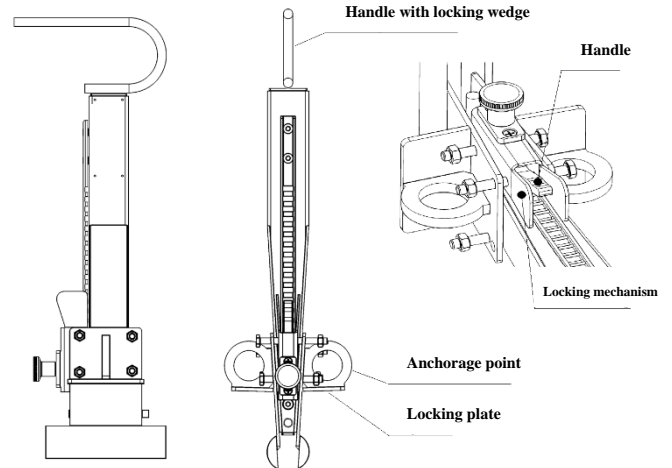
- Read the instructions carefully before starting the assembly.
- Check that the grooves on the locking plates are not worn (these are essential for effective anchoring).
- Ensure there is no gravel, sand, or other foreign objects between the wedge, locking plates, mechanism, and screw connections. Clean if necessary! Use only water and a brush, possibly mild soap, and scrub the product. Do not use strong solvents that could damage the rust protection on the product.
- Check for any visible damage to the product (deformations, corrosion, abnormal wear, or corrosion).
- Ensure the HDF plates are in good condition and free from damage.
- Check that the grooved surfaces of the locking plates fit well into the longitudinal grooves of the HDF plates.
- Develop a plan for actions to be taken in the event of an accident.
- The recommended minimum fall height from the top of the HDF plates to the underlying surfaces is 5.65m.
- Check that the rail on the locking wedge is free from damage (deformations, corrosion, or abnormal wear).
- Check the lacquer-sealed nuts to ensure the lacquer is intact.

In case of uncertainty or discovery of damage, the product should be taken out of use and sent to the manufacturer or another expert for an assessment of the product's condition and its suitability for use.

#### Anchoring:



1. Place the fall protection anchor between two HDF plates and at least 1 meter from the nearest edge of the HDF plate. Ensure that the distance between the HDF plates does not exceed approximately 5 cm.
2. Lower the fall protection anchor so that the locking plates rest on the HDF floor structure.
3. Press down with light to moderate hand force on the top of the handle to ensure that the locking wedge has pressed the locking plates against the grooves in the HDF plates. Before proceeding, check that the locking mechanism is secure by testing the locking wedge handle for any movement.
4. Give the handle a firm tug to ensure that the anchor cannot slide or come loose from its position.
5. The anchoring device is now ready for use.
6. Personal fall protection with a connecting lanyard and shock absorber (or alternatively, a self-retracting lifeline) is to be attached to one of the anchorage points on the fall protection anchor. See the image to the right.
7. Before use, the user should also ensure that all devices are connected and interact with each other without obstruction.



To ensure the fall protection anchor is installed correctly each time it is used, it is recommended to perform an inspection using a checklist. The checklist should be used to systematically confirm that all steps have been completed prior to use, reducing the risk of missing critical tasks that could compromise the user's safety. For an example of such a protocol, see pages 5-6 in this manual.

#### Disassembly

To disassemble the device, press the handle on the locking mechanism (see image on the right) while simultaneously lifting the locking wedge using the handle.



Failure to follow the instructions in this manual may result in serious consequences, including the risk of injury.

## 4. MAINTENANCE AND INSPECTION

It is of utmost importance that regular periodic checks are carried out, as the user's safety depends on the maintained function and condition of the equipment. To ensure that the equipment operates correctly and does not pose a risk, it must be inspected and maintained regularly in accordance with this document.

The product should be inspected regularly, at least every 12 months. Inspections and any necessary repairs must be performed by the manufacturer or an inspector designated by the manufacturer. It is recommended that the product be marked with the date of the next or most recent inspection. A log of performed maintenance and inspections should be kept. On page 7 of this manual, there is an inspection card that should be used as a template to record inspection dates, performed checks, and any actions taken.

If the customer or end user makes any changes, modifications, or repairs without prior approval from the manufacturer, the manufacturer will not be responsible for this. Such actions may also negatively impact the safety and functionality of the product. Any changes, modifications, or repairs should be carried out in accordance with the manufacturer's instructions and procedures. Also, see the check points noted in the section "Handling" above.



### **Actions after a fall**

*When a fall has occurred while the device was in use, the device must be inspected by the supplier.*

### **Storage and transport**

Storing in a dry environment extends the tool's lifespan. Ensure that no components are pinched or damaged during storage or transport.

## 5. DISPOSAL / WASTE MANAGEMENT

### **Disposal criteria**

The basic rule is that the tool should not be deformed compared to its original condition. However, certain deformations may occur without affecting the tool's functionality or safety. In case of uncertainty, contact the manufacturer.

### **Waste management**



CERTEX tools should always be sorted or scrapped as general metal waste.

Main material: S355.

CERTEX can assist with any questions regarding waste management if needed.



Lifting Solutions Group  
Axel Johnson International

**VARBERG**  
Susvindsvägen 11  
432 32 VARBERG  
Telefon: 0340-64 66 40

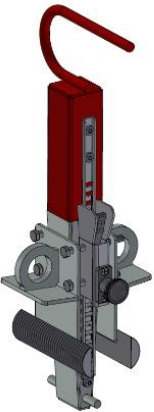
**MALMÖ**  
Betselgatan 6B  
213 77 MALMÖ  
Telefon: 040-22 30 40  
order.malmo@certex.se

**GÖTEBORG**  
Box 8713  
402 75 GÖTEBORG  
Lundby Hamngata 26  
Telefon: 031-50 86 50  
order.goteborg@certex.se

**CERTEX Svenska AB  
STOCKHOLM**  
Huvudkontor  
Box 2073  
183 02 TÄBY  
Pentavägen 3  
Telefon: 08-758 00 10  
order@certex.se

# EC Declaration of Conformity


## Fall Protection Device for HDF floor structure – 825300100060

	<p><b>According to Swedish standard SS-EN 795:2012 Fall Protection - Anchoring Devices - Requirements and Testing.</b></p> <p>The fall protection anchor for HDF floor structures is a temporary connection point and is classified as personal protective equipment, Category III.</p> <p>The product is type-tested and quality-assured by RISE Research Institutes of Sweden AB (identification number NB 0402) and has undergone static and dynamic testing (class B), as well as corrosion testing. It is certified according to certificate SC0761-13 and quality-assured according to certificate SC1077-15.</p> <p>For this fall protection anchor, the requirements of SS-EN 365:2004 - Personal Fall Protection Equipment apply.</p>
---	--

<b>Product</b>	Fall Protection Device for HDF floor structure – 825300100060
<b>Marking</b>	CERTEX, FALL PROTECTION, Mnf. Year, Design 2.25-9352, SS-EN 795:2012, user limitations, 0402 (EU type approval), adress, CE & ID-no

#### DISCLAIMER OF LIABILITY

CERTEX Svenska AB hereby certifies under its own responsibility that the delivered Fall Protection Device for HDF floor structure complies with European Parliament and Council Regulation 2016/425/EU and SS-EN 795:2012.

<b>Responsible for Documentation</b>	Håkan Donnerlid, CEO, CERTEX Svenska AB
<b>Signature</b>	
<b>Date</b>	2024-08-23
<b>Place</b>	Täby, SWEDEN
<b>Address</b>	CERTEX Svenska AB Pentavägen 3 SE-187 30 TÄBY SWEDEN www.certex.se

#### DISCLAIMER CLAUSE

If the customer or end user makes any changes or modifications to the product, combines the product with an incompatible product/component, or uses the product in an improper manner, CERTEX Svenska AB accepts no responsibility for the consequences regarding the product's safety.

# Checklist



## Installation of Fall Protection Device for HDF Floor Structure

To ensure that the fall protection anchor is installed correctly during each use, it is recommended that a check is performed using a checklist. The checklist below can be used effectively to systematically verify that all steps have been completed before use, reducing the risk of missing crucial steps that could jeopardize the user's safety.

**Location (note the location where the product is installed):**

**Product (note the identification number of the fall protection device):**

**User and Inspector (note the names of the user and the inspector):**

Checkpoint	Description of check	Measured value	Comment	Signature and date
<b>1</b>	The user is well-acquainted with the task and possesses the theoretical and practical knowledge required for the safe use of the fall protection anchor, and has carefully read through the product's user manual.		<i>Preparatory action</i>	
<b>2</b>	Check that the grooves on the locking plates are not worn (these are essential for effective anchoring).		<i>Preparatory action</i>	
<b>3</b>	Check that there is no gravel, sand, or other foreign objects between the wedge, lock plates, mechanism, and screw joints. Clean if necessary! Use only water and a brush, possibly mild soap, and scrub the product. Avoid strong solvents that may damage the product's rust protection.		<i>Preparatory action</i>	
<b>4</b>	Check that there are no visible damages on the product (deformations, corrosion, abnormal wear, or corrosion).		<i>Preparatory action</i>	
<b>5</b>	Check that the HDF panels are in good condition and free from damage.		<i>Preparatory action</i>	
<b>6</b>	Check that the grooved surfaces on the locking plates fit properly into the longitudinal grooves of the HDF panels.		<i>Preparatory action</i>	
<b>7</b>	Establish a plan of actions to be implemented in the event of an accident.		<i>Preparatory action</i>	
<b>8</b>	Check that the rail on the locking wedge is free from damage (deformations, corrosion, or abnormal wear).		<i>Preparatory action</i>	
<b>9</b>	Check the lacquer-sealed nuts to ensure that the paint is intact.		<i>Preparatory action</i>	

<b>10</b>	Check that the distance between the HDF panels is no greater than approximately 5 cm. Measure the distance and note this in the column to the right.		<i>Installation / Anchoring</i>	
<b>11</b>	Lower the fall protection anchor so that the locking plates rest on the HDF floor structure, and apply light to moderate hand pressure on the top of the handle to ensure that the locking wedge has pushed the locking plates into the grooves of the HDF panels. Check that the locking mechanism engages by gently rocking the locking wedge handle.		<i>Installation / Anchoring</i>	
<b>12</b>	Pull on the handle and ensure that the anchor cannot slide or detach from its position.		<i>Installation / Anchoring</i>	

# Inspection Form

<b>Product:</b>		
<b>Model &amp; type / Identification:</b>	<b>Brand name:</b>	<b>ID / Serial-number:</b>
<b>Manufacturer:</b>	<b>Adress:</b>	<b>Phone, fax, email, and website:</b>
<b>Year of manufacture / End of service life date:</b>	<b>Date of purchase:</b>	<b>Date of first use:</b>
<b>Other relevant Information (e.g., document number):</b>		

## Periodic Inspection and Repair History

Date	Reason for registration (periodic inspection or repair)	Detected defects, performed repairs, and other relevant information	Name and signature of competent person who performed the inspection and/or repair	Next date for periodic inspection